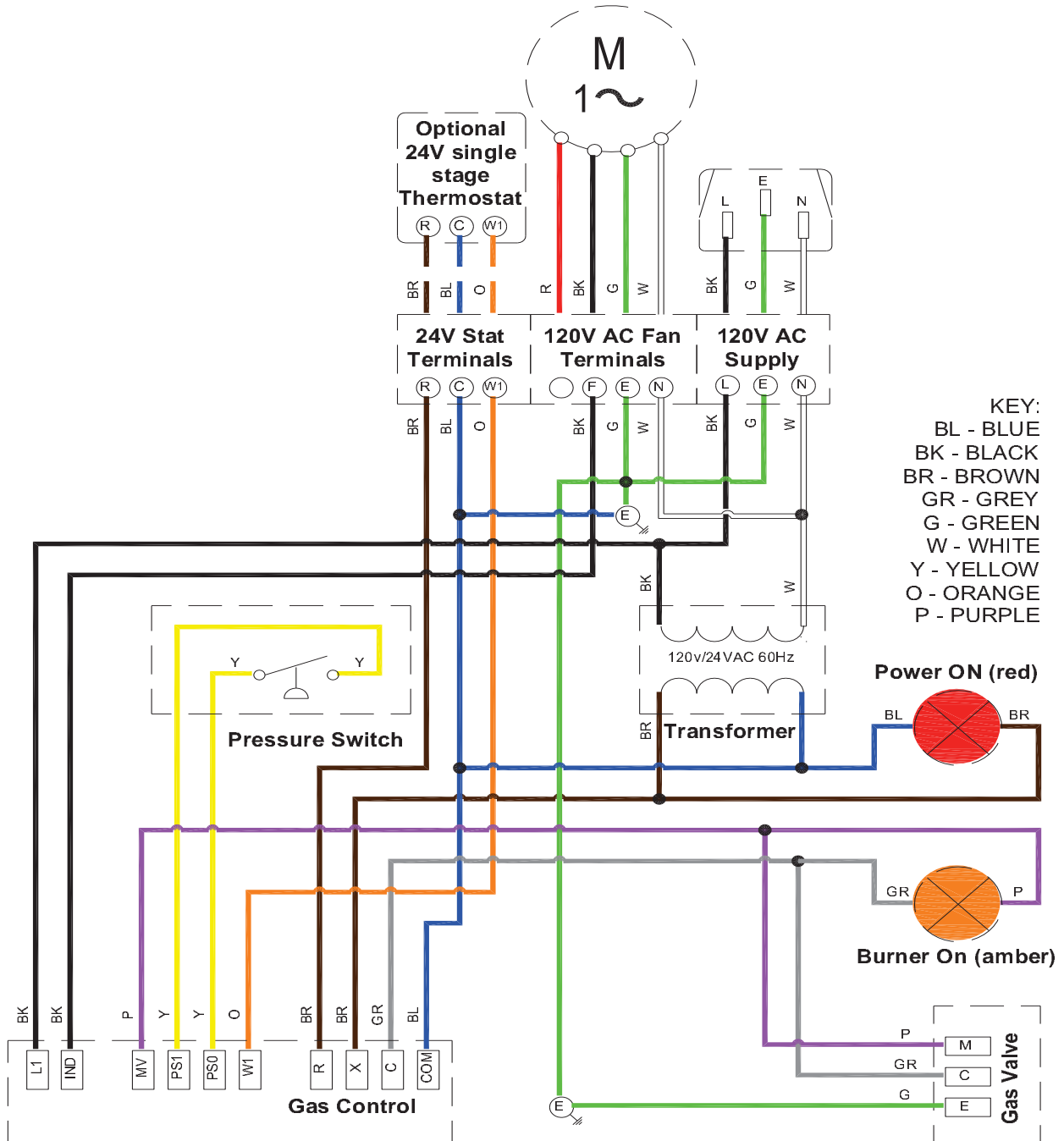


When servicing heaters ensure the electricity supply is isolated from the mains supply.

120V AC supply is still present at each burner when the thermostat is switched off.

**Figure 6. Internal Burner Wiring Diagram. (VC1)**



**NOTES:-**

Power On light is permanently illuminated when 120V / 60 Hz AC external supply is connected to burner.

Additional wiring is required to install a thermostat and / or time clock.

Wire specification:- 18 AWG (1.0mm<sup>2</sup>), Tri-rated, 105°C

**⚠** If any of the original wire as supplied with the appliance must be replaced, it must be replaced with wiring material having a temperature rating of at least 220°F/105°C



**CONNECTOR MUST BE INSTALLED IN A “U” CONFIGURATION. FOR HEATERS UPTO 150,000 BTU/H, A 24” LONG CONNECTOR OF AT LEAST ½” ID MUST BE USED. FOR HEATERS ABOVE 150,000 BTU/H, A 36” LONG CONNECTOR OF AT LEAST ¾” NOMINAL ID MUST BE USED.**

**Table 4 Gas Supply Pressures**

Gas Type	Natural Gas	LP/Propane Gas
Required Gas Pressure (in W.C)	7.0	11.0
Maximum Supply Pressure (in W.C)	14.0	14.0
Gas Supply	Connection ½” N.P.T thread	

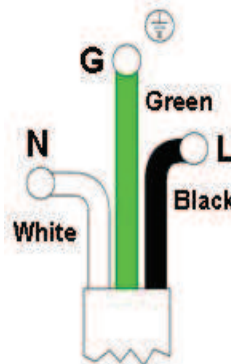
**1.5 Electrical Connections**

**WARNING:** Before making electrical connections, switch OFF the main electrical disconnect. There may be more than one disconnect switch. Lock out and tag switch with a suitable warning label. Electrical shock can cause personal injury or death.

Important: All electrical work should be done by a qualified electrician in strict accordance with the National Electrical Code ANSI/NFPA 70 or Canadian Codes CSA C22.1.

This appliance must be electrically grounded

Supply 120V 60Hz single phase.  
 Standard heater 0.16HP.  
 Current rating 1.2 amp max (inductive).  
 Fuse: external 3 amp.

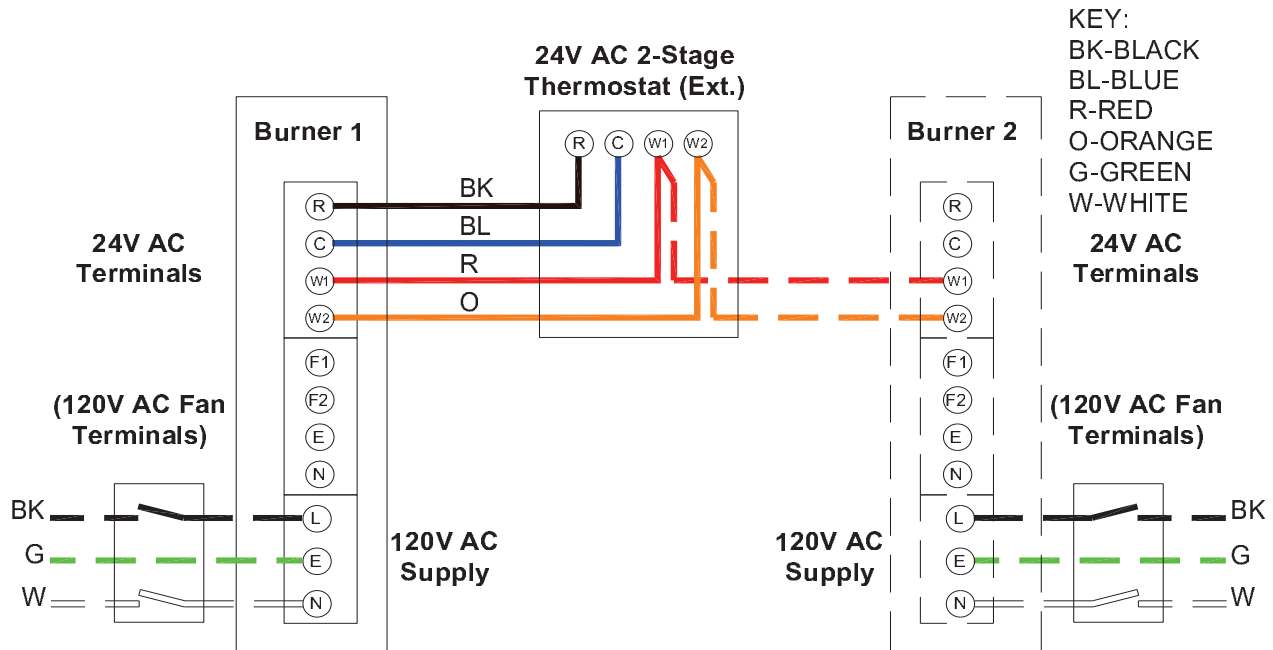


The electrical supply to the heater is by three wires: hot (Live), neutral and ground connections.

Install in accordance with all state & local codes.

Where alternative manufacturers controls are used, please refer to their instructions for their installation details.

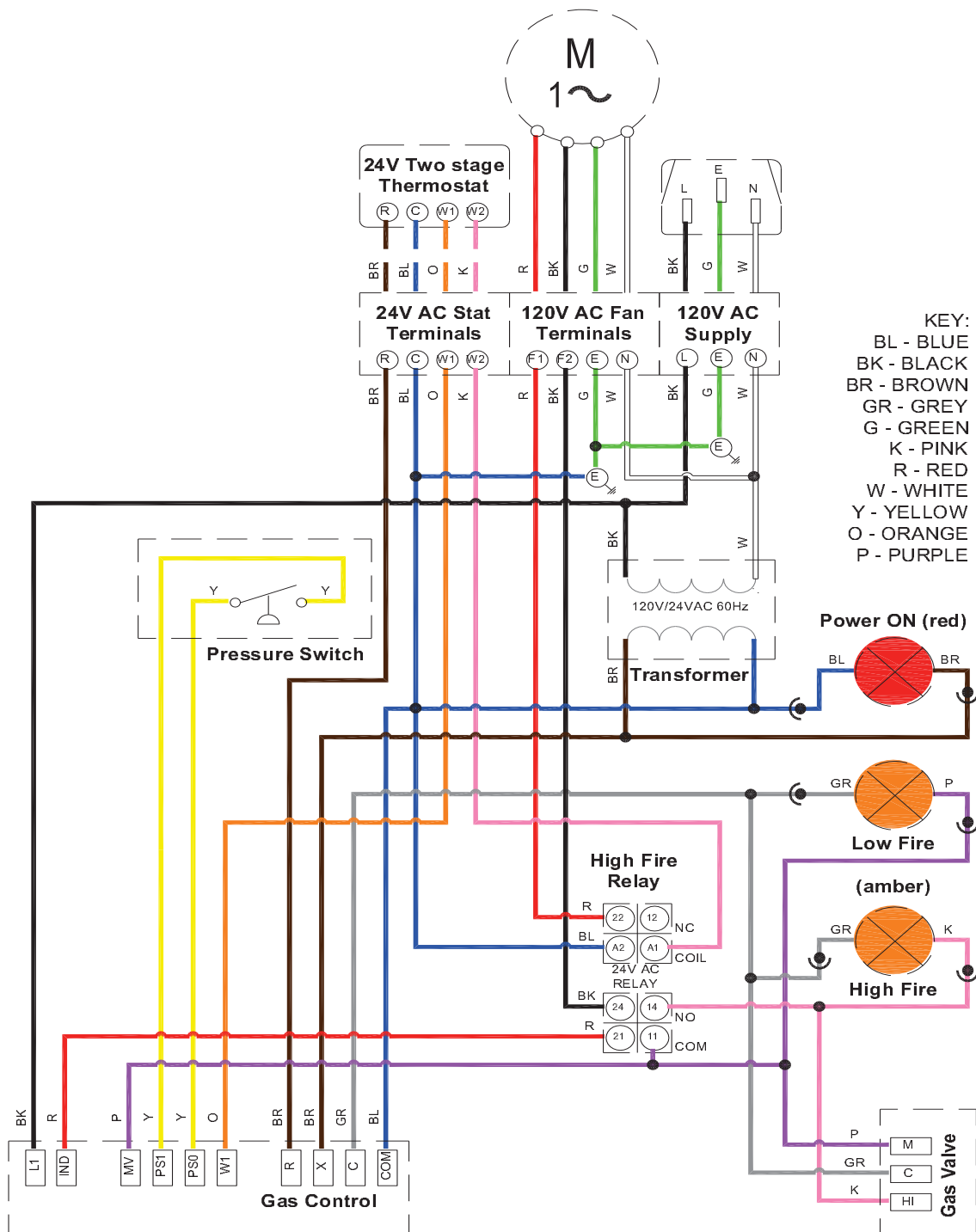
**Figure 7a. External Wiring Schematic. (VC2)**



**Notes:**  
 Use 18/4 class 2 thermostat cable between heater(s) and thermostat.  
 Max. length @ 18 Awg (0.8mm<sup>2</sup>) = 100ft.


No more than 2 burners can operate from one thermostat as supplied. However, a control is available from the manufacturer that allows up to 8 burners to be operated from one thermostat as a single zone.

Figure 7b. Internal Burner Wiring Diagram. (VC2)



**NOTES:-**

Power On light is permanently illuminated when 120V / 60 Hz AC external supply is connected to burner.  
 Additional wiring is required to install a thermostat and / or time clock.  
 Wire specification:- 18 AWG (1.0mm<sup>2</sup>), Tri-rated, 105°C

 If any of the original wire as supplied with the appliance must be replaced, it must be replaced with wiring material having a temperature rating of at least 220°F/105°C